

## IPC-B620-V(Z) 2.0 MP CMOS Vari-Focal Network Bullet Camera



### Key Features

- 1/2.8" progressive scan CMOS
- Up to 2.0 megapixel
- 2.8 mm to 12 mm manual (Z for motorized) vari-focal lens
- Up to 30 m IR range
- Dual stream
- 120 dB WDR (Wide Dynamic Range)
- 3D DNR (Digital Noise Reduction)
- PoE (Power over Ethernet)
- IP67
- Mobile monitoring via Hik-Connect or iVMS-4500

## Specification

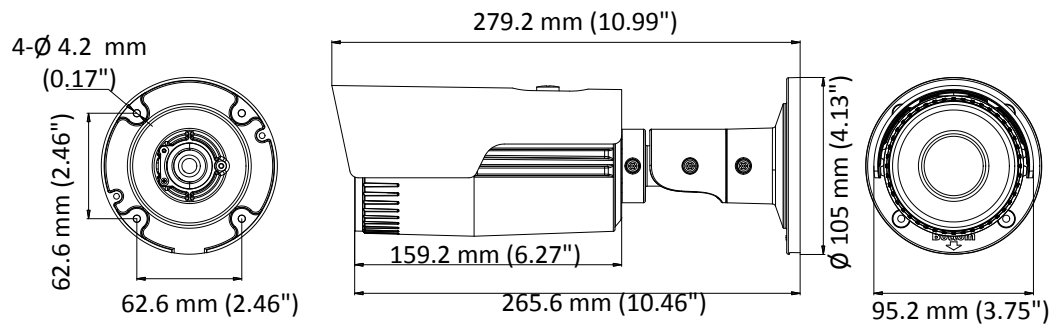
| <b>Camera</b>                  |  |
|--------------------------------|--|
| Image Sensor                   | 1/2.8" progressive scan CMOS   |
| Min. Illumination              | Color: 0.01 Lux @(F1.2,AGC ON), 0 Lux with IR  |
| Shutter Speed                  | 1/3 s to 1/100, 000 s, support slow shutter  |
| Lens                           | 2.8 mm to 12 mm @F1.4 , horizontal field of view: 100° to 35°  |
| Lens Mount                     | Φ14  |
| Day & Night                    | IR cut filter with auto switch   |
| 3-Axis Adjustment              | Pan: 0° to 360°, tilt: 0° to 100°, rotation: 0° to 360°  |
| DNR (Digital Noise Reduction)  | 3D DNR   |
| WDR (Wide Dynamic Range)       | 120 dB   |
| <b>Compression Standard</b>    |  |
| Video Compression              | Main stream: H.264+/H.264<br>Sub stream: H.264/MJPEG   |
| H.264 Type                     | Baseline profile/Main profile  |
| Video Bit Rate                 | 32 Kbps to 8 Mbps  |
| Dual Stream                    | Support  |
| <b>Image</b>                   |  |
| Max. Resolution                | 1920 × 1080  |
| Main Stream<br>Max. Frame Rate | 50Hz: 25fps @(1920 × 1080, 1280 × 960, 1280 × 720)<br>60Hz: 30fps @(1920 × 1080, 1280 × 960, 1280 × 720)               |
| Sub-stream<br>Max. Frame Rate  | 50Hz: 25fps @(704 × 576, 640 × 480, 352 × 288, 320 × 240)<br>60Hz: 30fps @(704 × 480, 640 × 480, 352 × 240, 320 × 240) |
| Image Settings                 | Brightness, saturation, contrast, sharpness are adjustable via web browser or client software                          |
| Day/Night Switch               | Support auto, scheduled  |
| Others                         | Mirror, BLC (area configurable), region of interest (support 1 fixed region)   |
| <b>Network</b>                 |  |
| Network Storage                | Support micro SD/SDHC/SDXC card (128G), local storage and NAS (NFS, SMB/CIFS), ANR                                     |
| Detections                     | Motion detection   |
| Alarms                         | Video tampering, network disconnected, IP address conflicted, HDD full, HDD error                                      |
| Protocols                      | TCP/IP, ICMP, HTTP, HTTPS, FTP, DHCP, DNS, DDNS, RTP, RTSP, RTCP, NTP, UPnP, SMTP, IGMP, 802.1X, QoS, IPv6, Bonjour    |
| Standard                       | ONVIF (PROFILE S, PROFILE G), CGI, ISAPI   |
| General Function               | One-key rest, anti-flicker, heartbeat, mirror, password protection, privacy mask, watermark, IP address filter         |
| <b>Interface</b>               |  |
| Communication Interface        | 1 RJ45 10M/100M self-adaptive Ethernet port  |
| Video Output (Without -Z)      | 1Vp-p composite output (75Ω/BNC)   |
| Reset                          | Support  |
| <b>General</b>                 |  |
| Operating Conditions           | -30 °C to 60°C (-22 °F to 140°F), humidity: 95% or less (non-condensing)   |
| Power Supply                   | DC12V ± 25%, PoE (802.3af)   |
| Power Consumption              | 12 VDC, 0.5 A, Max. 6 W<br>PoE (802.3af, 37 V to 57 V), 0.13 A to 0.2 A, Max. 11 W (-Z)                                |
| Ingress Protection             | IP 67  |
| IR Range                       | Up to 30 m   |
| Dimensions                     | 95.2 mm × 105 mm × 279.2 mm (3.75" × 4.13" × 10.99")   |
| Weight                         | 1200 g (2.6 lb.)   |

## Available Models

IPC-B620-V

IPC-B620-Z

## Dimension



## Accessory



DS-1260ZJ  
Junction Box



DS-1275ZJ  
Vertical Pole Mounting Bracket



DS-1280ZJ-S  
Junction Box



DS-1276ZJ  
Corner Mounting Bracket